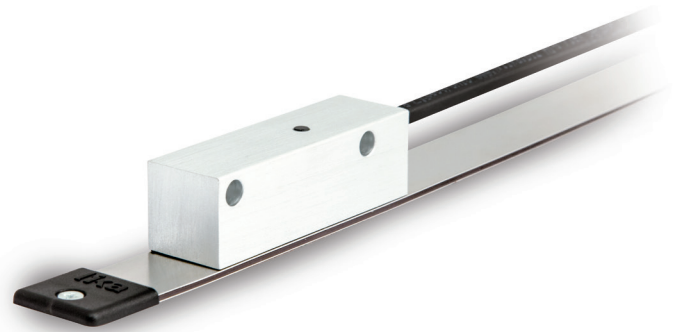




- Compact absolute linear encoder with SSI interface
- Measurement length up to 5 m
- Mounting tolerances with airgap up to 1 mm
- Resolution from 100 to 5 μm
- Diagnostic LED for clearance/gap error (Error bit available on request)
- Unaffected by dust, debris or liquids



SMA5

ENVIRONMENTAL SPECIFICATIONS

Shock:	250 g, 6 ms acc. to CEI EN 60068-2-27
Vibrations:	10 g, 5-2000 Hz acc. to CEI EN 60068-2-6
Protection:	IP67
Operating temperature range:	-25°C +85°C (-13°F +185°F)
Storage temperature range:	-40°C +100°C (-40°F +212°F)

MECHANICAL SPECIFICATIONS

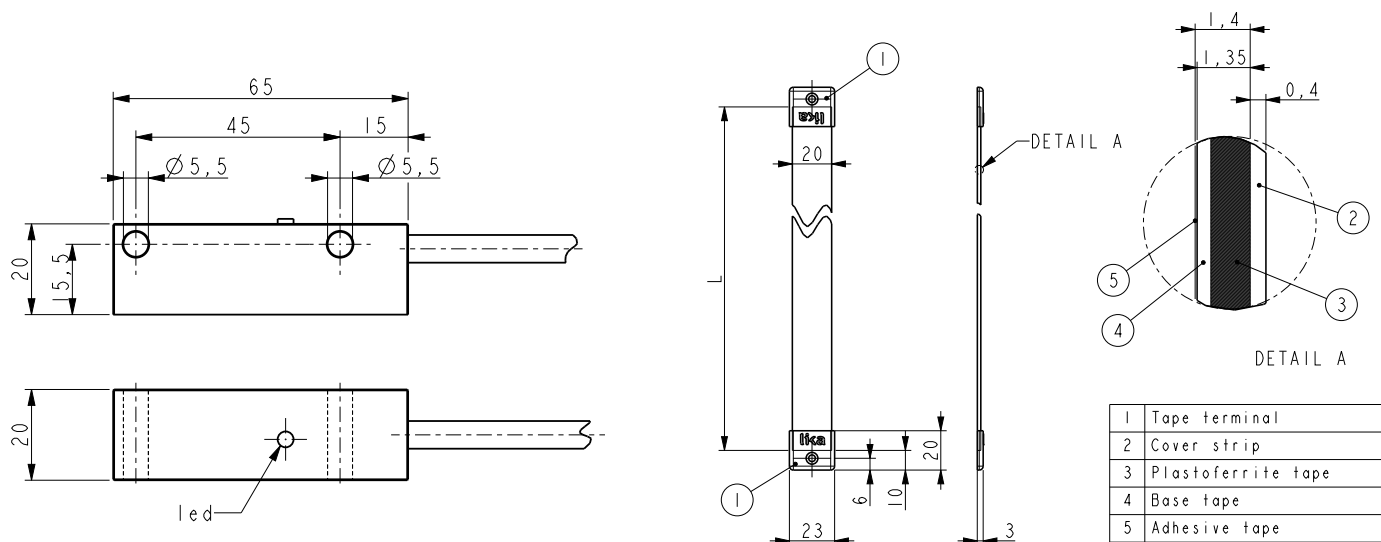
Dimensions:	see drawing
Housing material:	anticorodal, UNI EN AW-6082
Electrical connection:	Lika Hi-flex cable M8 2,0 m or M12 8 pin inline plug
Gap between sensor/tape:	0,1 ÷ 1,0 mm
Travel speed (mechanical):	5 m/s max.
Measurement length:	5,05 m max.
	Measurement length = tape length - 65 mm

ELECTRICAL SPECIFICATIONS

Resolution:	100, 50, 10, 5 μm
Sensor accuracy:	$\pm 20 \mu\text{m}$ max.
Repeat accuracy:	± 1 increment
Output circuits:	SSI
Position refresh:	250 μs
Power supply:	+10Vdc ÷ +30Vdc
Power consumption:	1 W max.
Protection:	against inversion of polarity and short-circuit
EMC:	acc. to EN 61000-6-2 level 3
Functions:	Zero setting, Counting direction
Options:	Power supply +5Vdc $\pm 5\%$ Error bit + Parity bit output

ACCESSORIES

MTA-A096:	Magnetic tape
E-M12F8:	M12 8 pin mating connector
EC-M12F8-LK-M8-050:	cordset with 5 m cable
EC-M12F8-LK-M8-100:	cordset with 10 m cable
KIT LKM-1439:	Set of tape terminals (10 pcs)



SMA5

MTA-A096

Order code - Sensor

SMA5	-	XXX a	-	XXXX b	-	XXXX c	/Sxxx d
------	---	----------	---	-----------	---	-----------	------------

<p>a OUTPUT CIRCUITS & POWER SUPPLY GA2 = Gray, SSI LSB aligned, +10Vdc ÷ +30Vdc</p>	<p>b RESOLUTION 0100 = 0,1 mm 0050 = 0,05 mm 0010 = 0,01 mm 0005 = 0,005 mm</p>	<p>c CABLE TYPE & LENGTH L020 = cable output 2 m Lxx0 = cable out. x m (max. length 10m) M005 = 0,5 m cable + M12 inline plug M020 = 2 m cable + M12 inline plug</p>	<p>d CUSTOM VERSION</p>
---	--	---	--------------------------------

Order code - Magnetic tape

MTA	-	XXXX a	-	XX b	-	XXXXXX c	-	X d	-	X e	-	X f	-	XXX g	/Sxxx h
-----	---	-----------	---	---------	---	-------------	---	--------	---	--------	---	--------	---	----------	------------

<p>a CODING A096 = SMA5 absolute coding (ex MTA5)</p>	<p>b WIDTH 20 = 20 mm</p>	<p>c LENGTH 000100 = 0,1 m 000200 = 0,2 m ... = ... 000500 = 0,5 m 001000 = 1,0 m</p>	<p>d BIADHESIVE B = supplied N = not supplied</p>	<p>e PRINTING P = standard S = custom</p>	<p>f COVER STRIP C = supplied N = not supplied</p>	<p>g ACCURACY CLASS 050 = ±35 µm</p>	<p>h CUSTOM VERSION</p>
--	--------------------------------------	--	--	--	---	---	--------------------------------

Document release	Date	Description
1.0	December 2023	New order code